

uandksound FS-X6

Outdoor Loudspeakers

The uandksound FS-X6 series surface loudspeakers are compact systems with rugged, molded high impact polystyrene to ensure its durability and sound quality.

Designed for wide-ranging indoor applications. Matching transformer with multi taps for 100V/70V/8ohm input offering versatility, and it is capable for commercial audio and public address applications.

We offer black and white alternative color or other customizable colors which is fit for different environment. Humanizing design mounting bracket makes installation easy and fast, saving installation cost and time. You can also change the speaker's any angle in order to control sound directivity.

FEATURES:

- Surface-mounted fashion speaker design for pro-audio and commercial market.
- Built-in 100/70V and 8ohm selectable switch.
- Powerful bass, also massive and strong.
- Treble is permeable, bright, soft and comfortable.
- Matching transformer with multi taps for 100/70V input.
- Customizable color available. Usually the color is black or white.
- Attractive cabinet design for improved sound directivity.
- 6.5" woofer and 1" tweeter.
- U type steel bracket include for fast and easy installation.

Rated input:	40W@100/70V 80W@8ohm
Max input:	60W@100/70V 160W@8ohm
High Impedance:	125, 250, 500, 1000, 2000 ohm
Power Taps:	100V: 40W, 20W, 10W, 5W 70V: 40W, 20W, 10W, 5W, 2.5W
SPL (1W/1m):	90dB
MAX SPL (Rated/1m):	106dB@100/70V; 109dB@8ohm
Frequency Response (-10dB):	80Hz-20000Hz
Dispersion (4kHz/1kHz):	80°/190°
Power Selecting Way:	Selecting Switch
Material:	High Impact Polystyrene; Grill: Steel
Temperature/Humidity:	-20-55°C; <95%
Loudspeaker Component:	6.5" Woofer + 1" Tweeter
Dimensions (mm):	213 W x 310 H x 195 D
Weight unit:	3.7 kg
Mounting:	U Type Mounting Bracket



uandksound LS-701B

Lawn Outdoor Loudspeakers

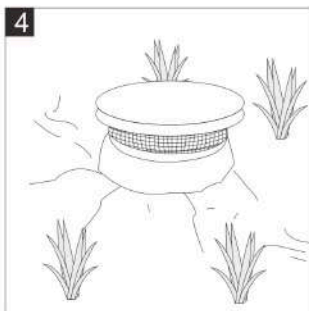
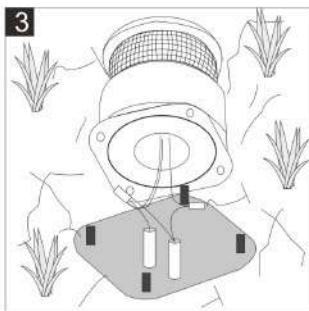
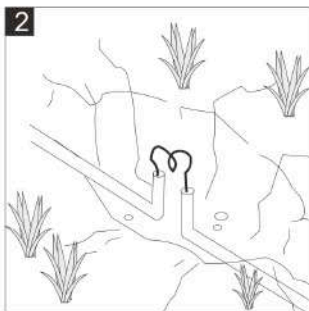
FEATURES:

- Water protected to IEC529 IP66.
- Lightweight ABS resin enclosure that is mechanically strong and resistant.
- UV protected for many years of outdoor installation.
- High quality coaxial 2 way speaker system.
- ABS unicasé technics.
- Matching transformer with multi tapplings for 100/70V input.
- 360° omnibearing direction design for wide listening area.

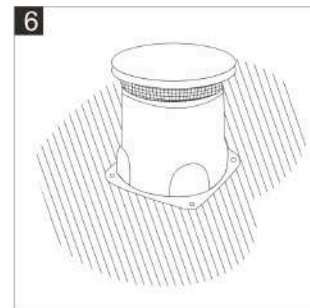
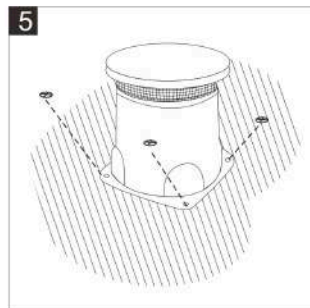
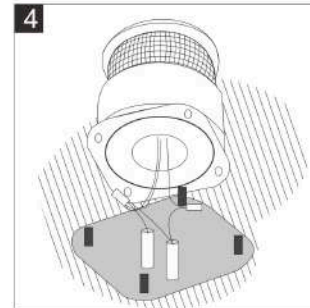
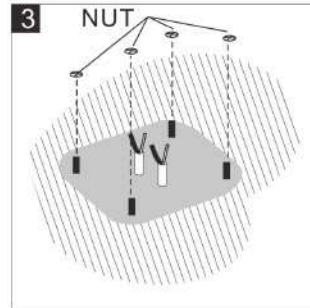
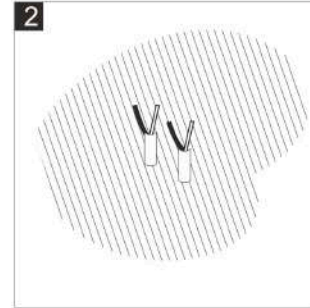


Rated input:	30W
Impedance:	333, 666 ohm
Power Taps:	100V: 30W, 15W 70V: 15W, 7.5W
SPL (1W/1m):	92dB
MAX SPL (Rated/1m):	107dB@100/70V
Frequency Response (-10dB):	80Hz-20000Hz
Dispersion (4kHz/1kHz):	360°
Power Selecting Way:	Three Core Cable + Power Selection
Material:	High Impact ABS
Temperature/Humidity:	-30-60°C; <95%
Water Protection:	IEC529 IP66
Loudspeaker Component:	6.5" Woofer + 1" Coaxial Tweeter
Dimensions (mm):	325 W x 325 D x 335 H
Weight unit:	3.5 kg
Mounting:	4 x 9mm Screw Hole Mounting

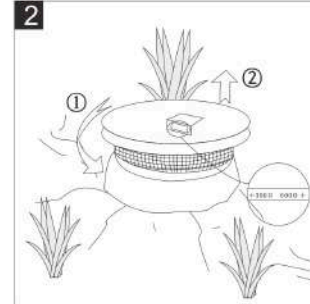
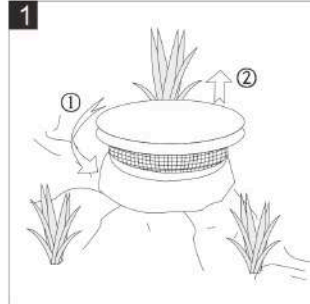
Earth



Concrete or wood



Power switch (only for LS-701B)



uandksound WS-105 Indoor/Outdoor Loudspeakers

FEATURES:

- Indoor use such as: classroom, restaurant and office.
- 2 way loudspeaker system with 1" tweeter and 4" woofer.
- Good frequency response is suitable for music and speech reproduction.
- 10W transformer with multi tapping applications.
- Fashion appearance design.
- Arch panel improves coverage throughout the listening area.
- Unique housing design for acoustic integrity.



Rated input:	10W
Max input:	15W
Impedance:	1000, 2000 ohm
Power Taps:	100V: 10W, 5W 70V: 5W, 2.5W
SPL (1W/1m):	93dB
MAX SPL (Rated/1m):	103dB@100/70V
Frequency Response (-10dB):	110Hz-18000Hz
Dispersion (4kHz/1kHz):	80°/130°
Power Selecting Way:	Left: Red 1kohm, COM Black Right: Red 2kohm, COM Black
Material:	Panel & Cover: ABS; Grill: Steel
Temperature/Humidity:	-20-55°C; <95%
Loudspeaker Component:	4" Woofer + 1" Tweeter
Dimensions (mm):	170 W x 260 H x 120 D
Weight unit:	1.3 kg
Mounting:	Plug Terminal Block